

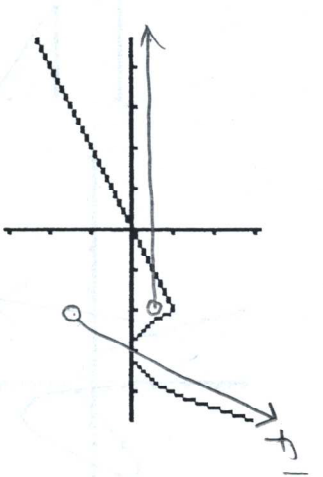
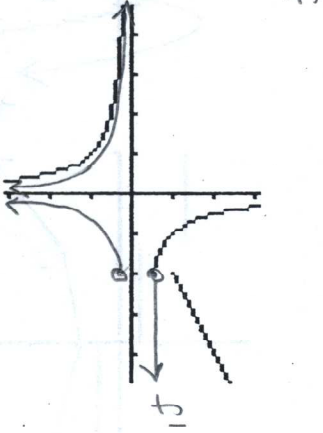
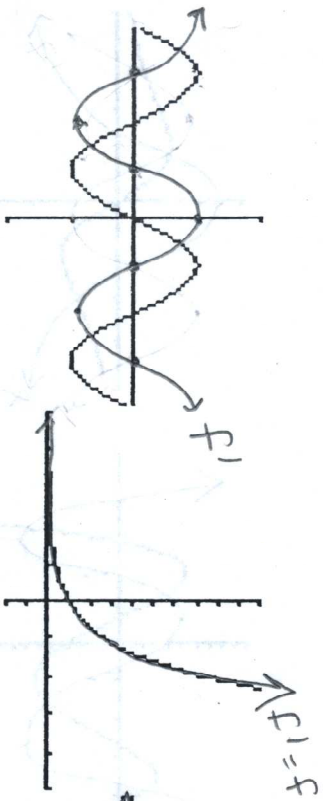
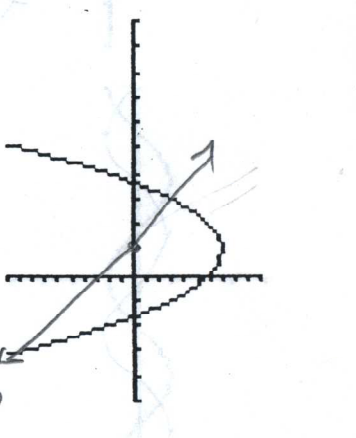
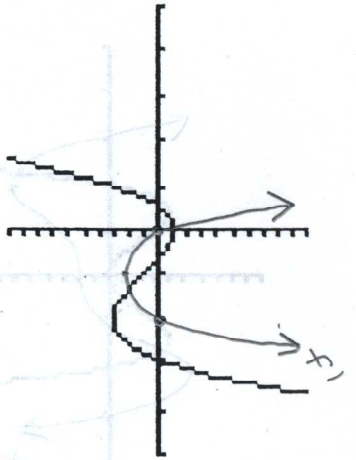
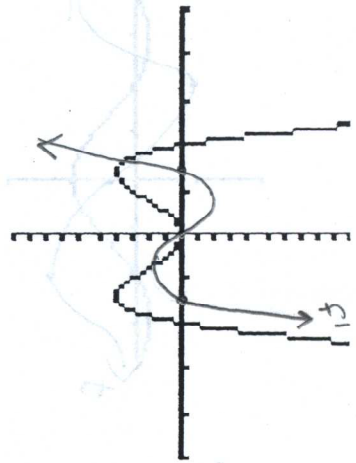
Calculus AB

Sketch the derivative below each graph given the graph of $f(x)$.

Name: _____

Key

Date: _____



Sketch the graph of each function, given the graph of $f'(x)$.

